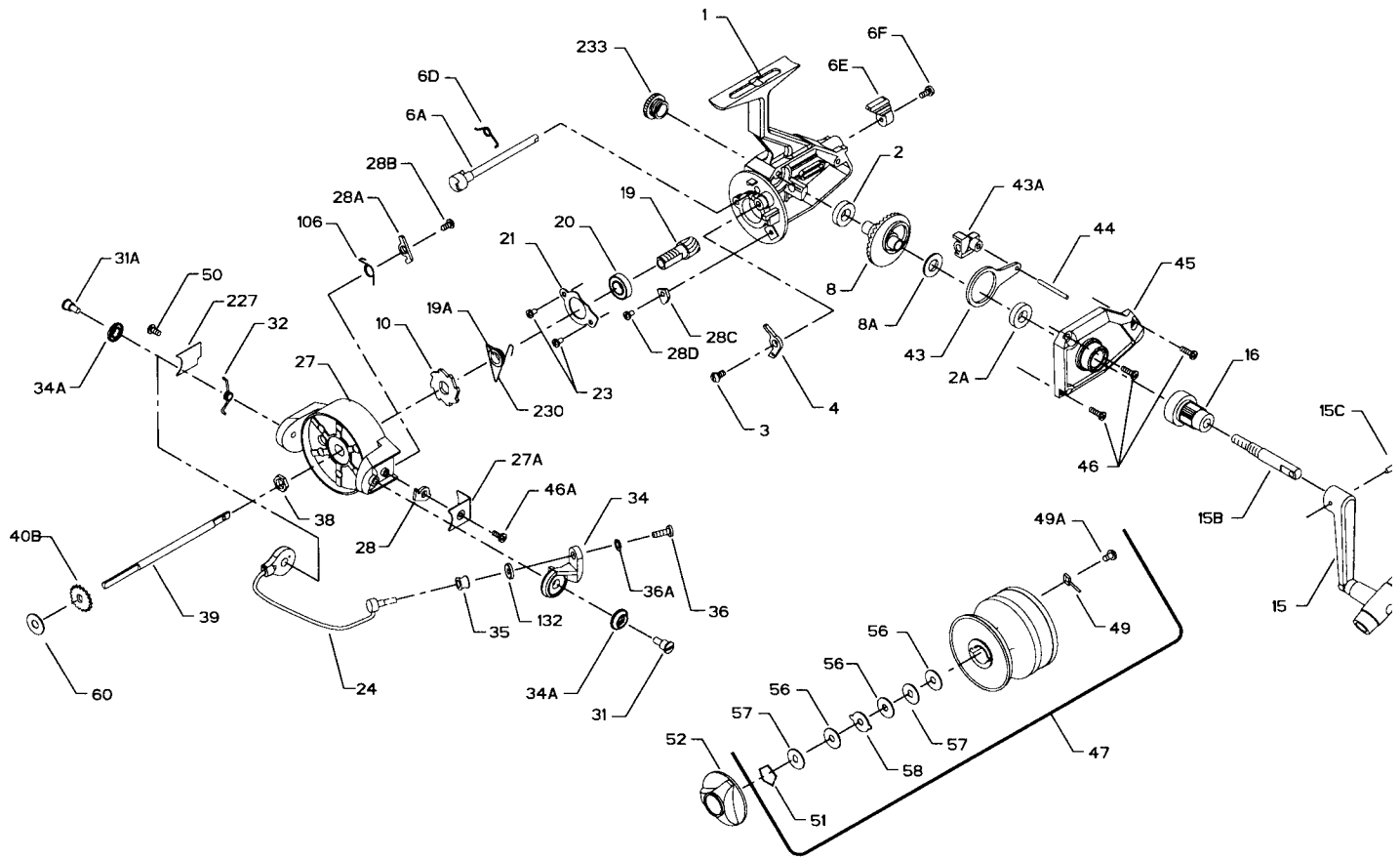




PARTS AND PRICE LIST FOR MODEL 103C



Key No.	Part No.	Description	Price	Key No.	Part No.	Description	Price
1	1-103C	Housing w/Bushing & Emblem	\$13.05	32	32-103	Bail Spring	.80
2	2-103	Housing Bushing	.90	34	34-103	Bail Arm	1.90
2A	2-103	Cover Bushing	.90	34A	34A-103	Bail Arm Spacer	.50
3	3-103	Dog Mounting Screw	.50	35	35-103	Line Roller	2.25
4	4-103C	Dog w/Finger Spring	2.25	36	36-101	Bail Stud Screw	.40
6A	6A-103	Eccentric	1.90	36A	36A-103	Lock Washer	.40
6D	6D-103	Eccentric Spring	.45	38	38-103	Rotor Nut	.45
6E	6E-103	Eccentric Lever	.60	39	39-103C	Crosswind Shaft	4.70
6F	6F-101	Eccentric Lever Mounting Screw	.40	40B	40B-103	Click Ratchet	.50
8	8-103C	Main Gear Assembly	5.65	43	43-103C	Crosswind Arm	1.25
8A	8A-103	Main Gear Shim	.40	43A	43A-103C	Crosswind Block	1.75
10	10-103C	Anti-Reverse Ratchet	.80	44	44-103C	Crosswind Arm Pin	.50
15	15-103	Handle	6.60	45	45-103C	Housing Cover w/Bushing	5.40
15B	15B-103	Handle Shaft	1.50	46	46-103	Housing Cover Screw (3 req.)	.40
15C	15C-103	Handle Pivot Pin	.40	46A	46A-103	Rotor End Cover Screw	.40
16	16-103	Handle Collar	2.00	47	47-103	Spool (Complete)	16.95
19	19-103C	Pinion Gear	4.80	49	49-103	Click Spring	.90
19A	19A-103C	Pinion Gear Spacer	.90	49A	3-101	Click Spring Screw	.40
20	20-103	Ball Bearing	9.40	50	23-103	Bail Spring Cover Screw	.45
21	21-103C	Bearing Cover	.90	51	51-103	Retaining Ring	.40
23	23-103	Bearing Cover Screw (2 req.)	.45	52	52-103	Drag Knob	1.95
24	24-103	Bail Wire	7.40	56	56T-103	Drag Washer (Teflon®) (3 req.)	.45
27	27-103C	Rotor Cup	9.35	57	57-103	Drag Washer (Keyed) (2 req.)	.50
27A	27A-103	Rotor End Cover	.50	58	58-103	Drag Washer (Ear)	.50
28	28-103	Trip Lever	.90	60	60-103	Thrust Washer (Teflon®)	.45
28A	28A-103	Cam Lever	.90	106	106-103	Cam Lever Spring	.40
28B	28B-103	Cam Lever Mounting Screw	.40	132	132-103	Roller Washer	.80
28C	28C-103	Trip Cam	.90	227	227-103	Bail Spring Cover	.50
28D	46A-103	Cam Mount Screw	.40	230	230-103C	Silent Dog Spring	.45
31	31-103	Bail Arm Screw	.80	233	233-103	Housing Handle Cap	.90
31A	31-103	Bail Wire Mounting Screw	.80				